

# F-2352SC

PANEL CONE SPEAKER

The F-2352SC ceiling and wall-mounted speaker covers an extremely wide area and can be used for 25, 70 and 100 V line applications. Well-balanced sound can be heard uniformly at any location.



Article number: F-2352SC EU  
Alternative products: F-1522SC

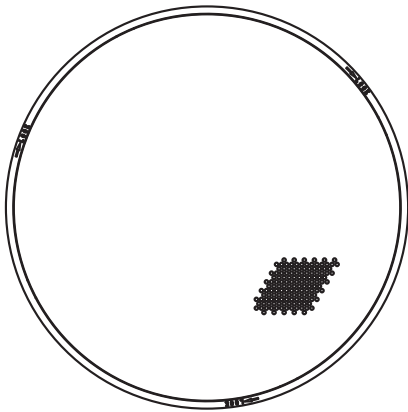
## Specifications

Sensitivity (1#W, 1#m)	89 dB
Frequency response.	80 Hz - 20 kHz (-10 dB)
Tappings	6 / 3 / 1 / 0.5 W (100 V), 6 / 3 / 1.5 / 0.5 / 0.25 W (70 V), 8 Ω
Rated input (low impedance)	Continuous pink noise: 9 W (8 Ω), Continuous program: 18 W (8 Ω)
Rated impedance	8 Ω
Speaker component	Low: 12 cm cone-type, High: Balanced dome-type
Finish.	Steel plate, Fire-resistant ABS resin (resin material grade: UL-94 V-0), cream white (RAL 9001 or equivalent),

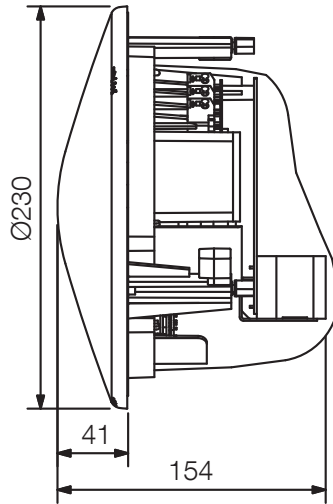
# F-2352SC

PANEL CONE SPEAKER

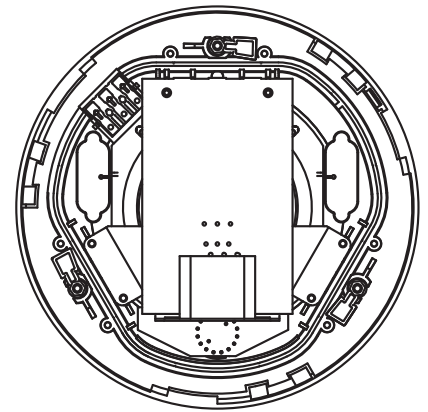
Appearance



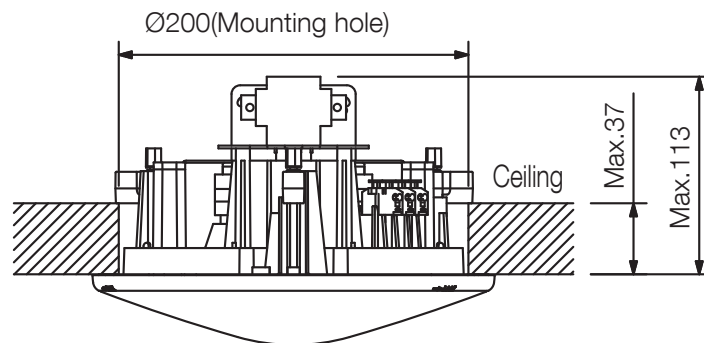
Front View



Side View



Rear View



Ceiling mounting

UNIT:mm

SCALE:1/5